



UNIVERSITY OF CAMBRIDGE INTERNATIONAL EXAMINATIONS
International General Certificate of Secondary Education



PHYSICS

0625/05

Paper 5 Practical Test

October/November 2007

CONFIDENTIAL INSTRUCTIONS

1 hour 15 minutes

Great care should be taken to ensure that any confidential information given does not reach the candidates either directly or indirectly.



If you have any problems or queries regarding these Instructions, please contact CIE
by e-mail: International@cie.org.uk,
by phone: +44 1223 553554,
by fax: +44 1223 553558,
stating the Centre number, the nature of the query and the syllabus number quoted above.

This document consists of **10** printed pages and **2** blank pages.



Instructions for preparing apparatus

The Supervisor is **not** allowed to consult the Question Paper before the examination. This should, as part of the preparation of the examination requirements, test the apparatus in order to ensure that it is satisfactory.

The Supervisor is asked to give (and attach to the Report form printed on pages 11 and 12) a *brief* description of the apparatus supplied, mentioning any points that are likely to be of importance to the Examiner in marking the answers. The Supervisor should also report any assistance given to candidates. All reports should be signed by the Supervisor and by the person responsible for preparing the apparatus.

In addition to the usual equipment of a physics laboratory, each candidate will require the apparatus specified in these Instructions. If a candidate breaks any of the apparatus, or loses any of the material supplied, the matter should be rectified and a note made in the Report.

Number of sets of apparatus

As a *minimum*, the number of sets of apparatus provided should be $N/4$, where N is the number of candidates (per session). A few spare sets should, preferably, be available to avoid any candidate being delayed when moving to another question.

Centres may find it more convenient and easier to administer if $N/3$ sets (plus one or two 'spares') of apparatus are provided.

The order in which a given candidate attempts the four questions is immaterial.

Assistance to Candidates

The purpose of the Practical Physics test is to find out whether the candidates can carry out simple practical work themselves. The Examiners are aware that candidates may sometimes be unable to show their practical ability through failure to understand some point in the theory of the experiment. If an Examiner were present in the laboratory, he/she would be willing to give a hint to enable such a candidate to get on with an experiment. In order to overcome this difficulty, the Supervisor is asked to co-operate with the Examiners to the extent of being ready to give (or allow the Physics teacher to give) a hint to a candidate who is unable to proceed.

The following regulations must be strictly adhered to.

- (i) No hint may be announced to the candidates as a whole.
- (ii) A candidate who is unable to proceed and requires assistance must come up to the Supervisor and state the difficulty. Candidates should be told that the Examiners will be informed of any assistance given in this way.
- (iii) A report must be made of any assistance given to the candidate, with the name and index number of the candidate.

It is suggested that the following announcement be made to the candidates.

'The Examiners do not want you to waste time through inability to get on with an experiment. Any candidate, therefore, who is unable to get on with the experiment after spending five minutes at it may come to me and ask for help. I shall report to the Examiners any help given in this way, and some marks may be lost for the help given. You may ask me for additional apparatus which you think would improve the accuracy of your experiments, and you should say, on your script, how you use any such apparatus supplied.'

Question 1**Items to be supplied by the Centre (per set of apparatus unless otherwise specified)**

- (i) Thermometer, -10°C to 110°C , capable of being read to the nearest 1°C .
- (ii) Stopwatch or stopclock.
- (iii) 250 cm^3 beaker.
- (iv) Supply of hot water.
- (v) Paper towels in case of spillages.

Notes

1. The hot water is to be supplied for each candidate by the Supervisor. The water temperature should be between 80°C and 100°C .
2. Candidates should be warned of the dangers of burns or scalds when using very hot water.

Action at changeover

Discard the water in the beaker. Replace the hot water.

Question 2**Items to be supplied by the Centre (per set of apparatus unless otherwise specified)**

- (i) A sheet of stiff A4 sized card (see Note 1).
- (ii) Two bosses, two clamps, two stands.
- (iii) An optics pin or thin nail to act as a pivot.
- (iv) 6 paper clips of approximately equal masses (i.e. all from the same box).
- (v) Two additional paper clips attached to the A4 card (see Note 1).
- (vi) Metre rule.
- (vii) A nail with a loop of thread attached (see Note 2).

Notes

1. One paper clip is to be straightened out and stuck near the top edge of the card to act as a pointer as shown in Fig. 2.1. A second paper clip is to be bent into a hook and stuck near the top edge of the card as shown in Fig. 2.1. The hole for the pivot should be positioned so that the card hangs approximately horizontally. The hole should be large enough to allow the card to swing freely.
2. The mass of the nail should be between 2 and 5 paper clip masses.
3. The apparatus is to be set up for the candidates as shown in Fig. 2.1 with the zero end of the metre rule on the bench.
4. Some spare cards prepared as described in Note 1 should be available.
5. The apparatus should be arranged so that there is no danger of a candidate being injured by the point of the pin.

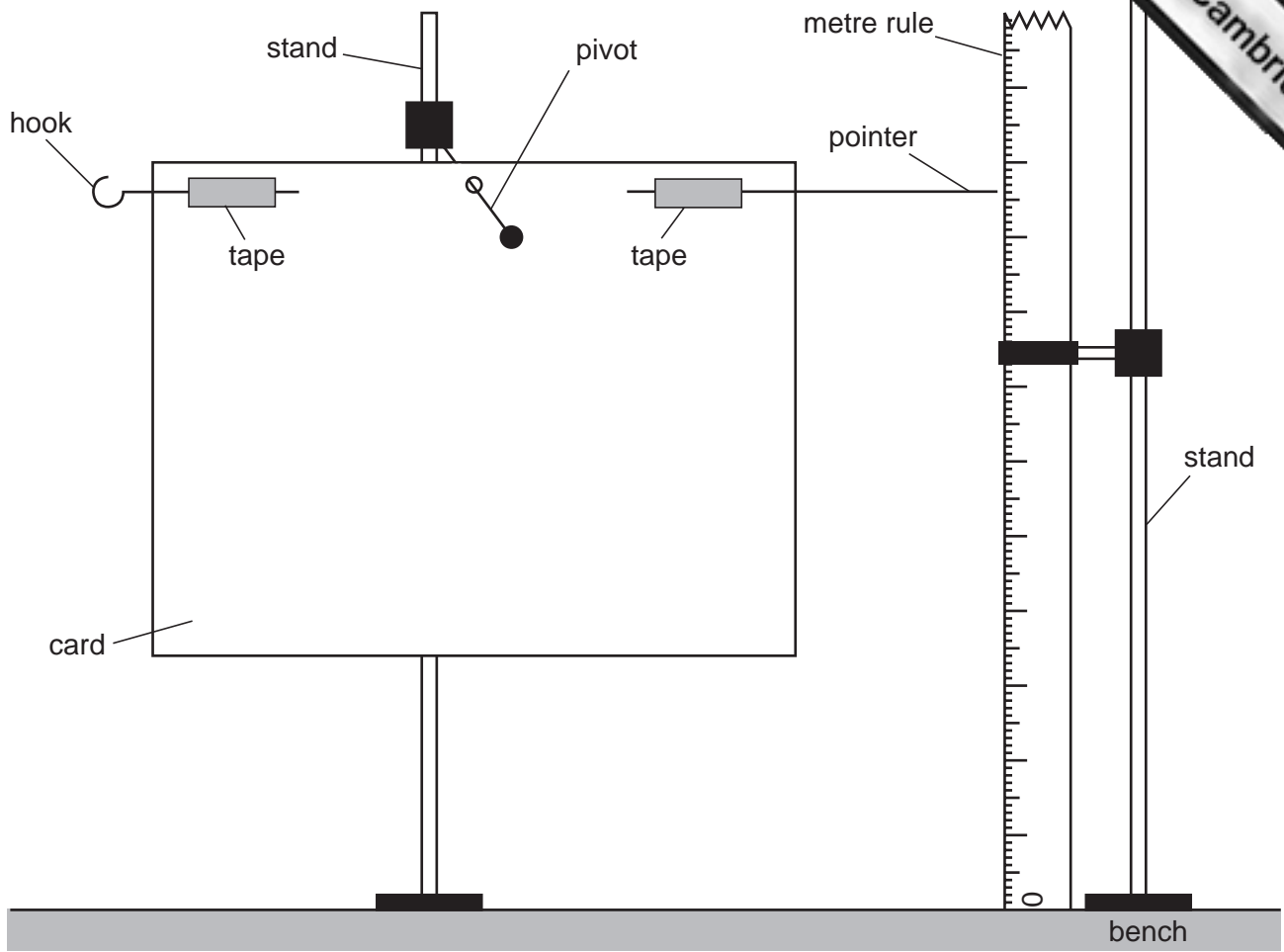


Fig. 2.1

Action at changeover

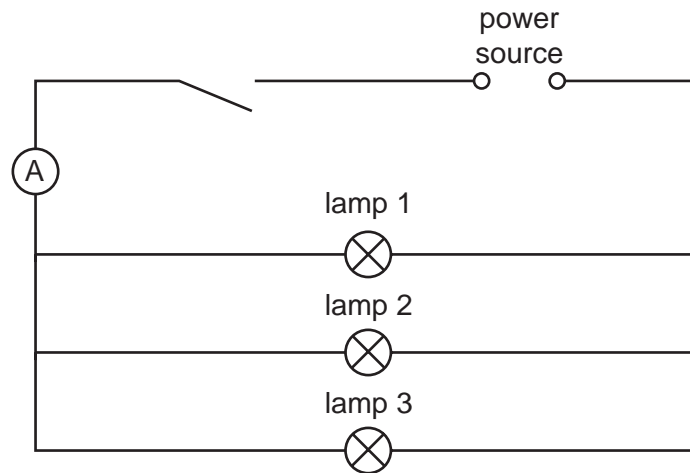
Arrange the apparatus as shown in Fig. 2.1.

Question 3**Items to be supplied by the Centre (per set of apparatus unless otherwise specified)**

- (i) Voltage source of approximately 1.5 – 2.5V. Where candidates are supplied with a voltage source with a variable output voltage, the voltage setting should be set by the Supervisor and fixed (e.g. taped).
- (ii) Voltmeter capable of measuring the supply p.d. with a minimum precision of 0.1 V.
- (iii) Ammeter capable of measuring current in the circuit shown in Fig. 3.1 with a minimum precision of 0.01 A.
- (iv) Switch which must be a separate component. If the power supply has an integral switch this must be taped in the on position.
- (v) Three 2.5V, 0.2A lamps in suitable holders.
- (vi) Sufficient connecting leads to set up the circuit shown in Fig. 3.1, plus three additional leads.

Notes

1. The circuit shown in Fig. 3.1 must be set up for the candidates. The switch and the ammeter must be connected on the same side of the power supply.
2. The candidates must be able quickly and easily to change the connections in the circuit. For example by using leads with stackable 4 mm plugs.

**Fig. 3.1****Action at changeover**

Reconnect the circuit as shown in Fig. 3.1.

Question 4**Items to be supplied by the Centre (per set of apparatus unless otherwise specified)**

- (i) Sheet of plain A4 paper (*per candidate*).
- (ii) Rectangular, transparent glass or Perspex block 10 cm × 6 cm × 1.5 cm or similar size. A square block is not suitable.
- (iii) 1 optics pin.
- (iv) Boss, stand and clamp.
- (v) 50 cm or 30 cm rule, graduated in mm (candidates may use their own).

Notes

1. The optics pin should be mounted horizontally in the clamp with the sharp end protruding. Candidates should be able to adjust the height of the pin within the range 20 cm to 1.5 cm above the bench.
2. Candidates should be warned that the end of the pin is sharp.
3. Some spare sheets of plain A4 paper should be available.

Action at changeover

Remove the previous candidate's sheet of A4 paper. Supply a fresh sheet of plain A4 paper (as in (i) above).

This form must be completed and returned with the scripts.

REPORT ON PRACTICAL PHYSICS

(IGCSE OCTOBER/NOVEMBER 2007)

General

The Supervisor is invited to give details of any difficulties experienced by particular candidates giving their names and candidate numbers. These should include reference to:

- (a) difficulties due to faulty apparatus;
- (b) accidents to apparatus or materials;
- (c) any other information that is likely to assist the Examiner, especially if this cannot be discovered in the scripts;
- (d) any help given to a candidate.

Information required

A plan of workbenches, giving details by candidate number of the places occupied by the candidates for each experiment for each session, must be enclosed with the Answer Booklets.





Information required (cont.)

A list by name and candidate number of candidates requiring help, with details of the help provided.

CENTRE NUMBER

NAME OF CENTRE

Declaration (to be signed by the Supervisor and the person responsible for preparing the apparatus)

The preparation of the practical examination has been carried out so as to maintain fully the security of the examination.

SIGNED
Supervisor

SIGNED
Person responsible for preparing the apparatus

